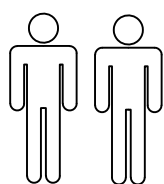
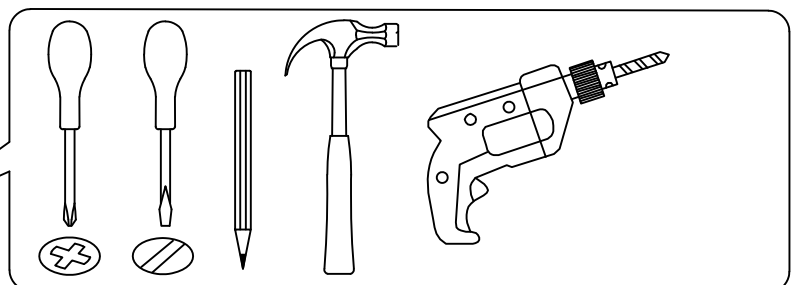
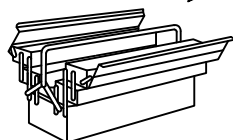


- | | |
|----------------------------------|------------------------------|
| (D) Montageanleitung | (GB) Assembly instructions |
| (FR) Notice de montage | (IT) Istruzioni di montaggio |
| (NL) Handleiding voor de montage | (PL) Instrukcja montażu |
| (CZ) Montážní návod | (SK) Návod na montáž |
| (HU) Szerelési útmutató | (RO) Instrucțiuni de montaj |
| (TR) Montaj talimatları | (RU) Инструкция по монтажу |



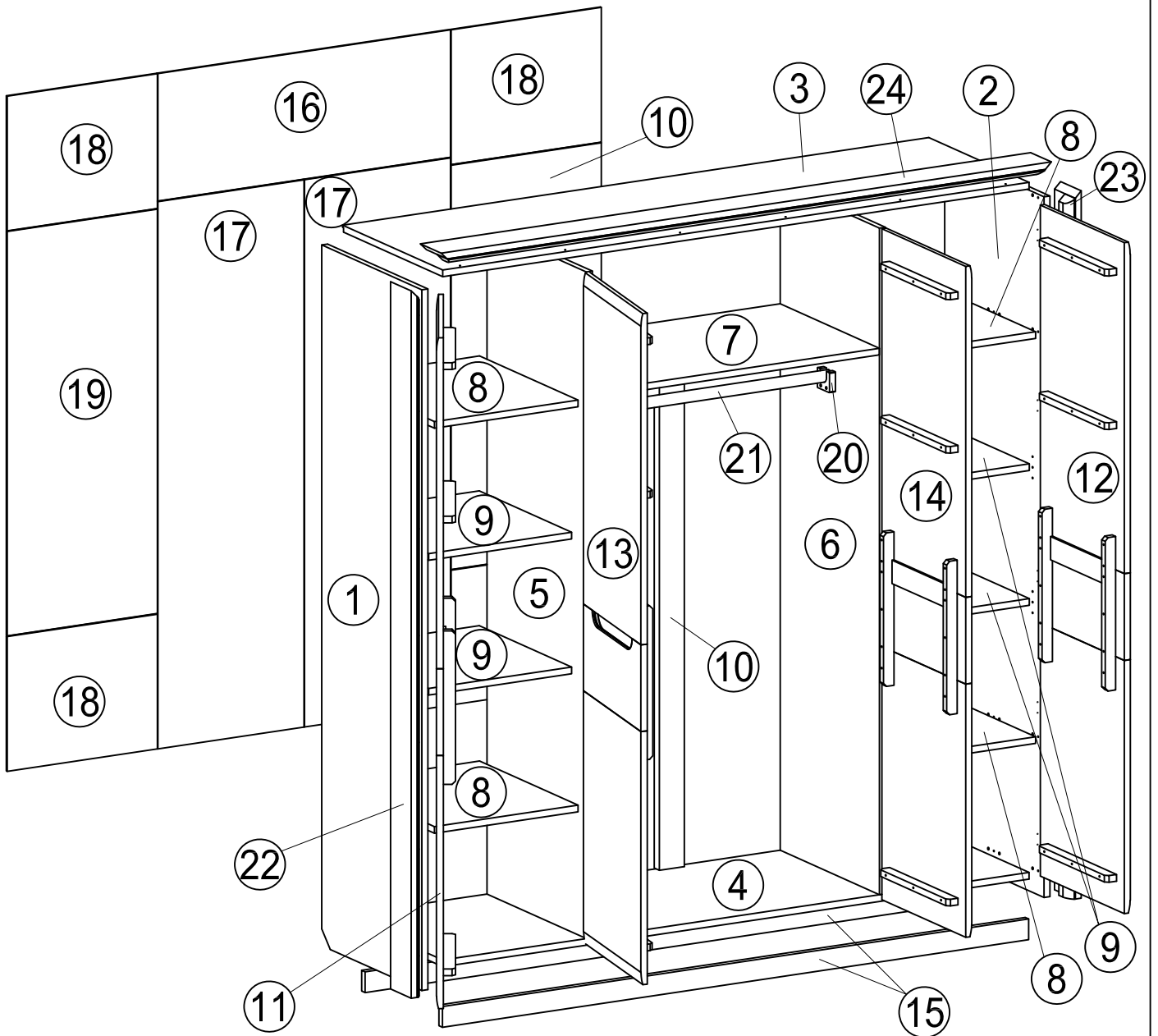
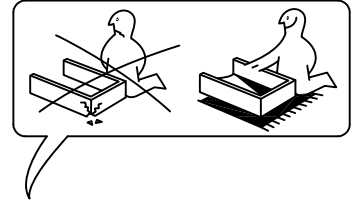
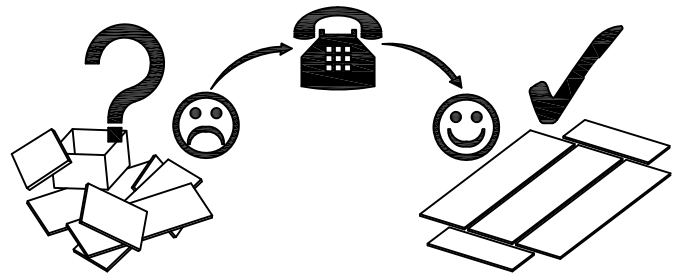
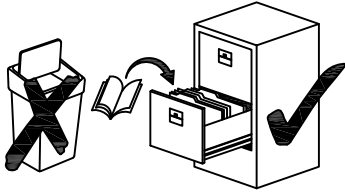
90 min



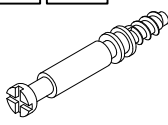
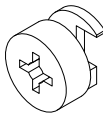
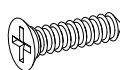
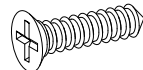
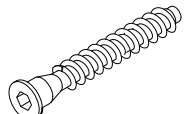
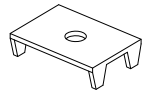
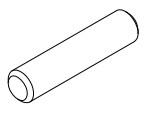
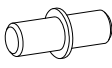
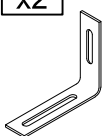
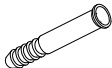

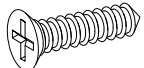

Name • Nom • Nome • Naam • Nazwa • Jaméno
• Názov • Név • Denumire • Isim • Название

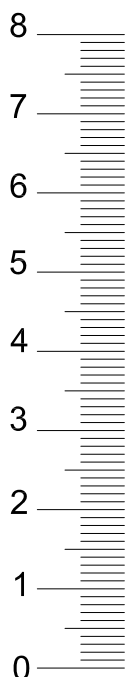
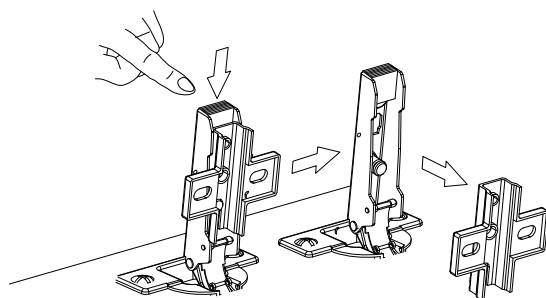
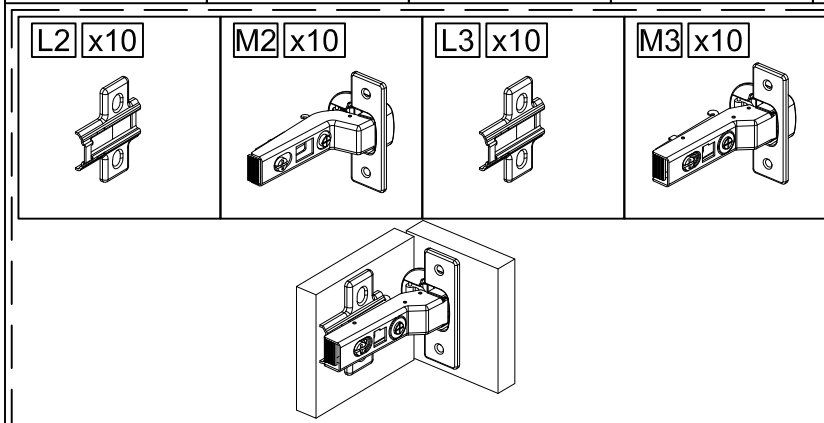
Nr. • No. • N° • Номер • Č • Sz

Typ • Type • Tip • Tipus • Tipo • Тип



No	Size/MaB	Qty	✓	No	Size/MaB	Qty	✓
1	2100x580x20	1		13	2011x486x55	1	
2	2100x580x20	1		14	2011x486x55	1	
3	1960x580x20	1		15	1960x62x20	2	
4	1960x580x20	1		16	978x382x5	1	
5	1998x575x20	1		17	1640x488x5	2	
6	1998x575x20	1		18	404x502x5	4	
7	960x575x20	1		19	1212x502x5	2	
8	480x570x20	4		20	60x70x20	2	
9	478x535x20	4		21	956x35x24	1	
10	1618x100x20	1		22	2120x120x40	1	
11	2011x486x55	1		23	2120x120x40	1	
12	2011x486x55	1		24	2040x120x40	1	

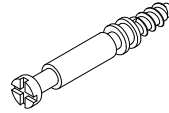
B1 x42 	C1 x42  Ø15	J1 x94  3.5x16	J2 x84  4x16	A1 x28  Ø7x50	W1 x55 	K1 x74  Ø8x35
Z2 x16 	P1 x2 	G1 x2 	V1 x2 	J4 x24  4x35	O1 x1  k4 mm	



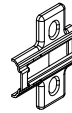
BELFAN

1

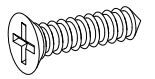
B1 x24



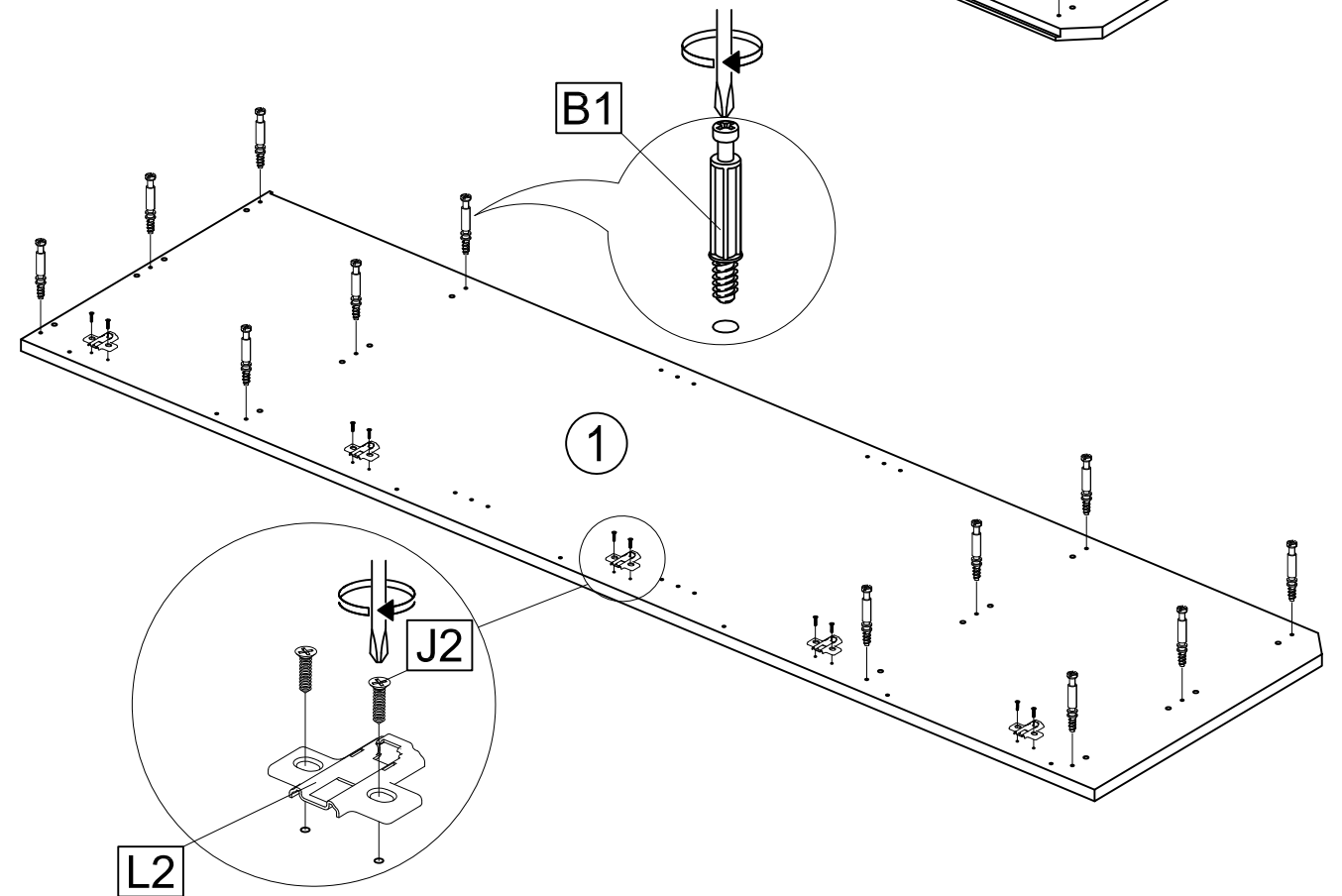
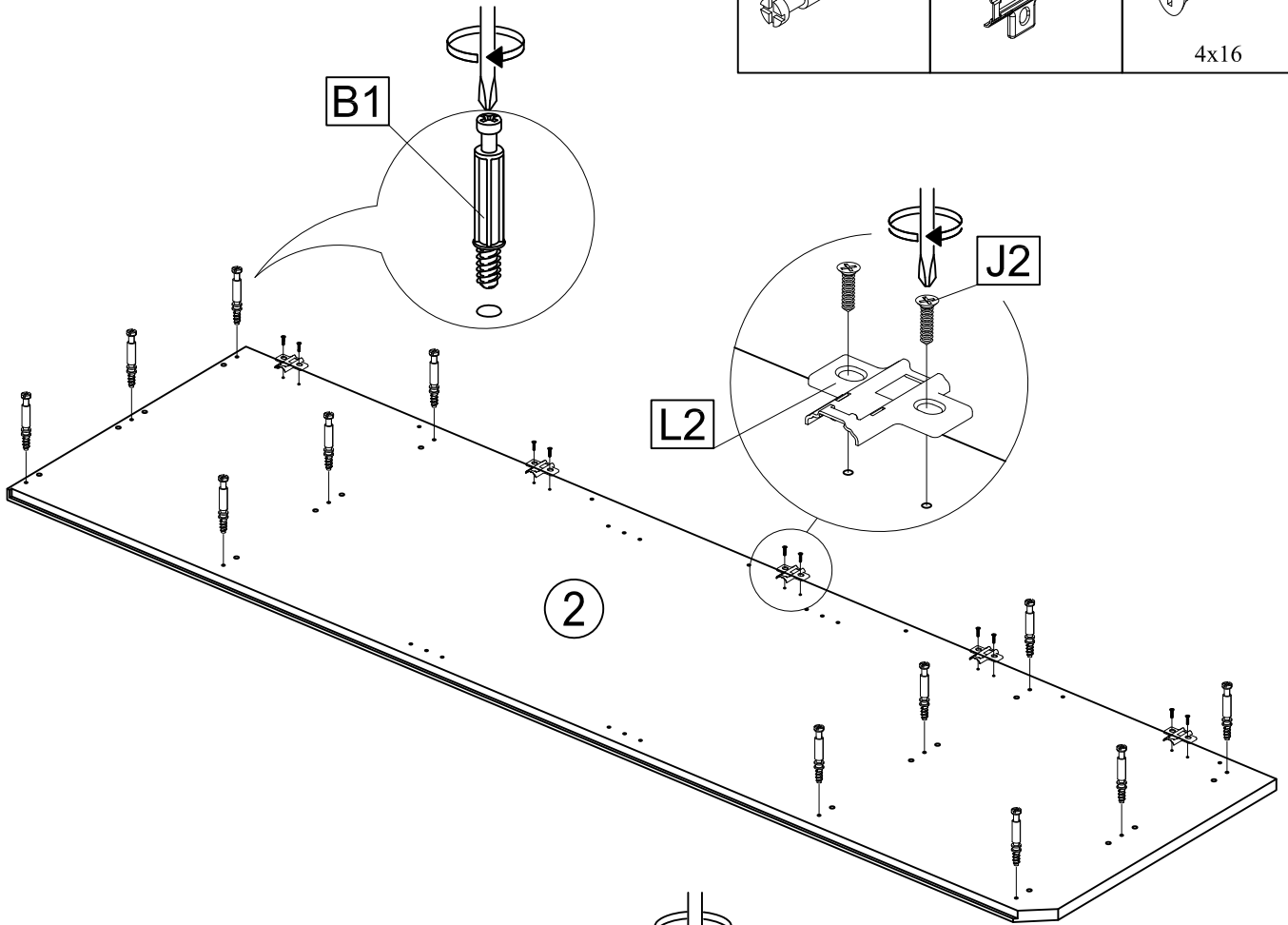
L2 x10



J2 x20

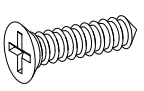
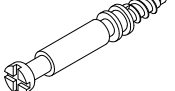
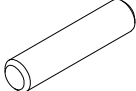
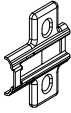
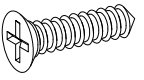


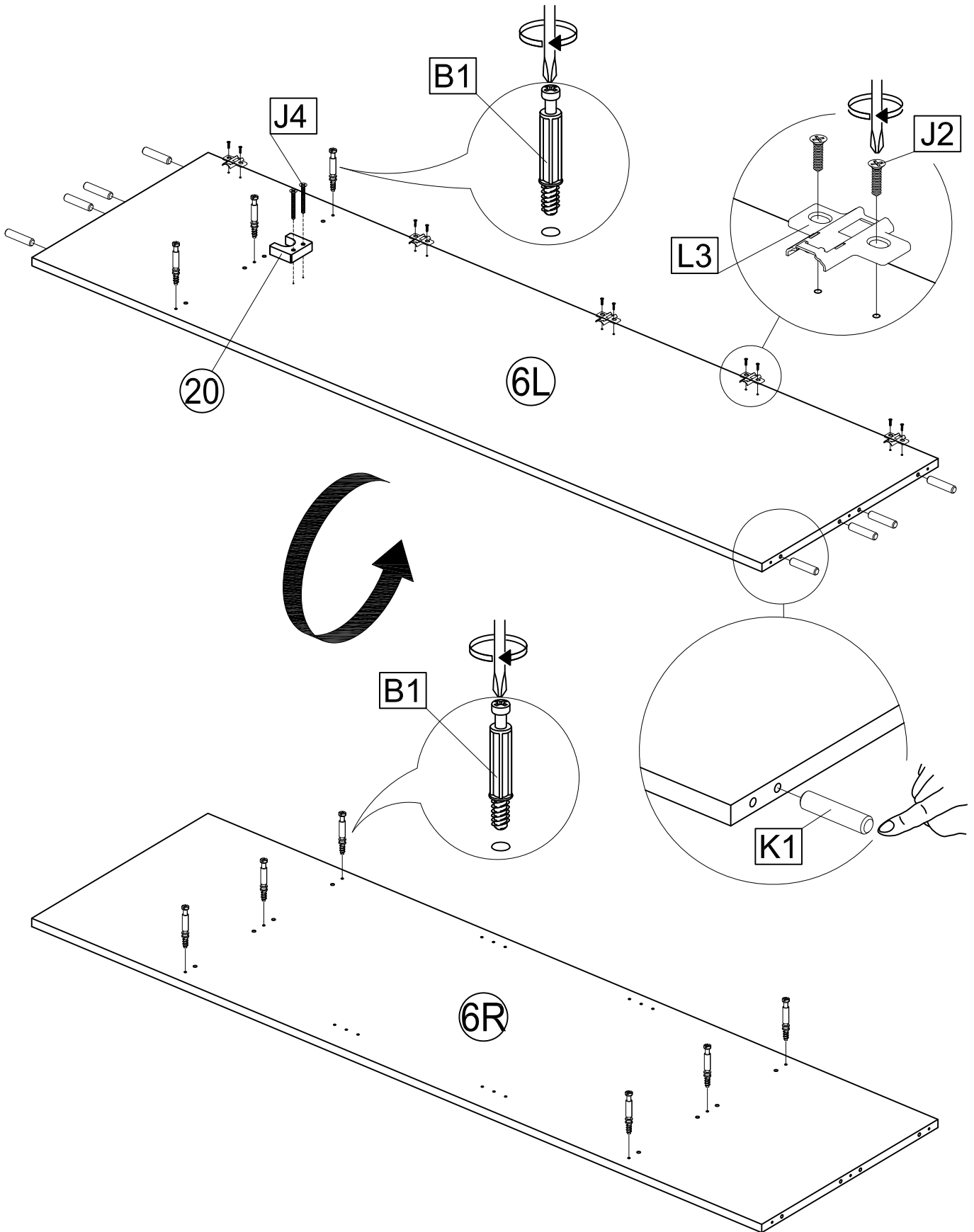
4x16



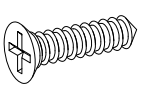
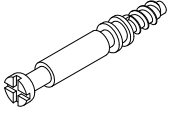
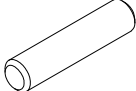
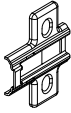
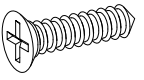
BELFAN

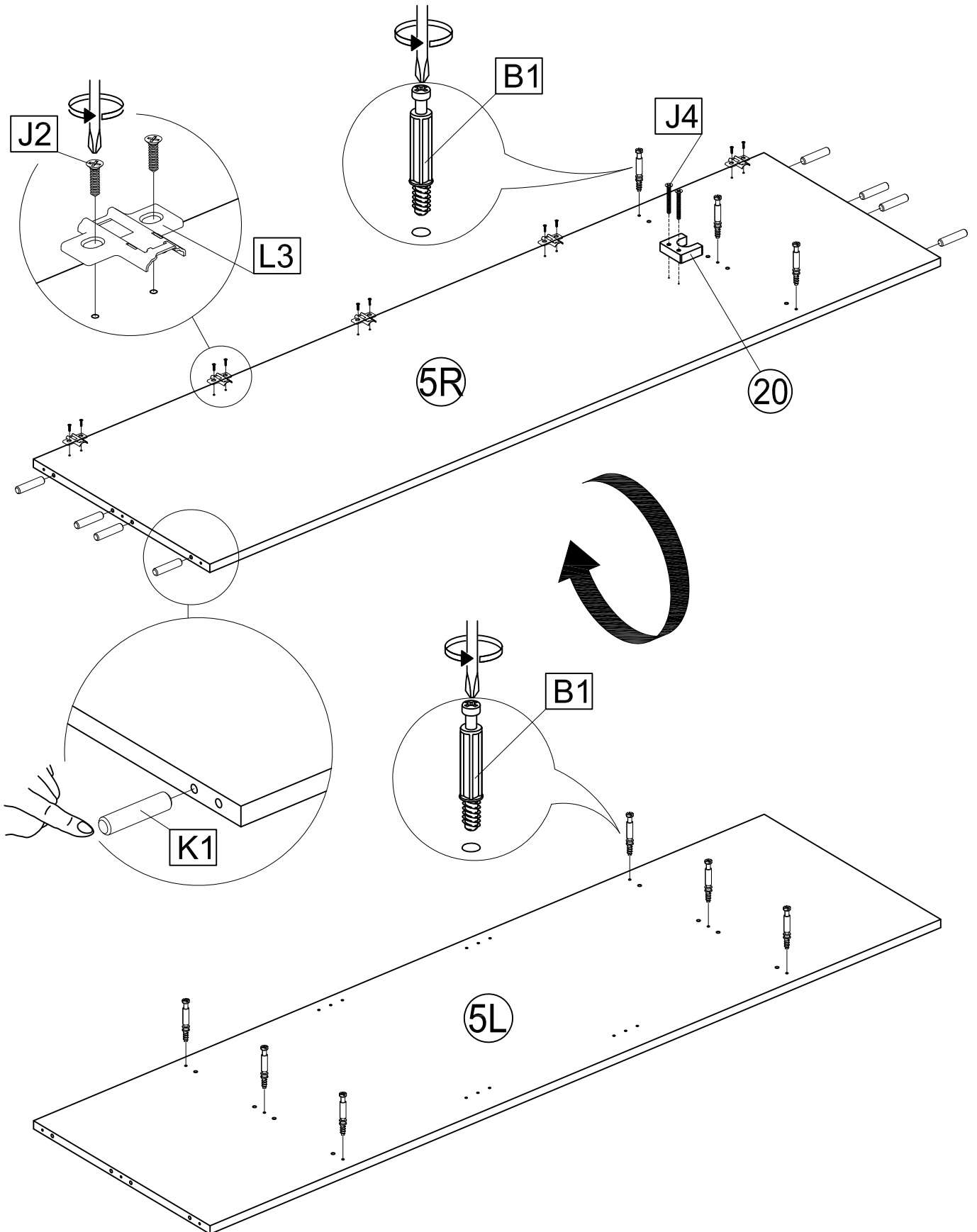
2

J4 x2  4x35	B1 x9 	K1 x8  Ø8x35	L3 x5 	J2 x10  4x16
--	--	--	--	---



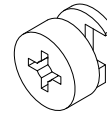
3

J4 x2  4x35	B1 x9  Ø8x35	K1 x8  Ø8x35	L3 x5 	J2 x10  4x16
--	---	--	--	---



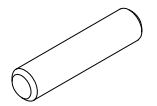
4

C1 x6

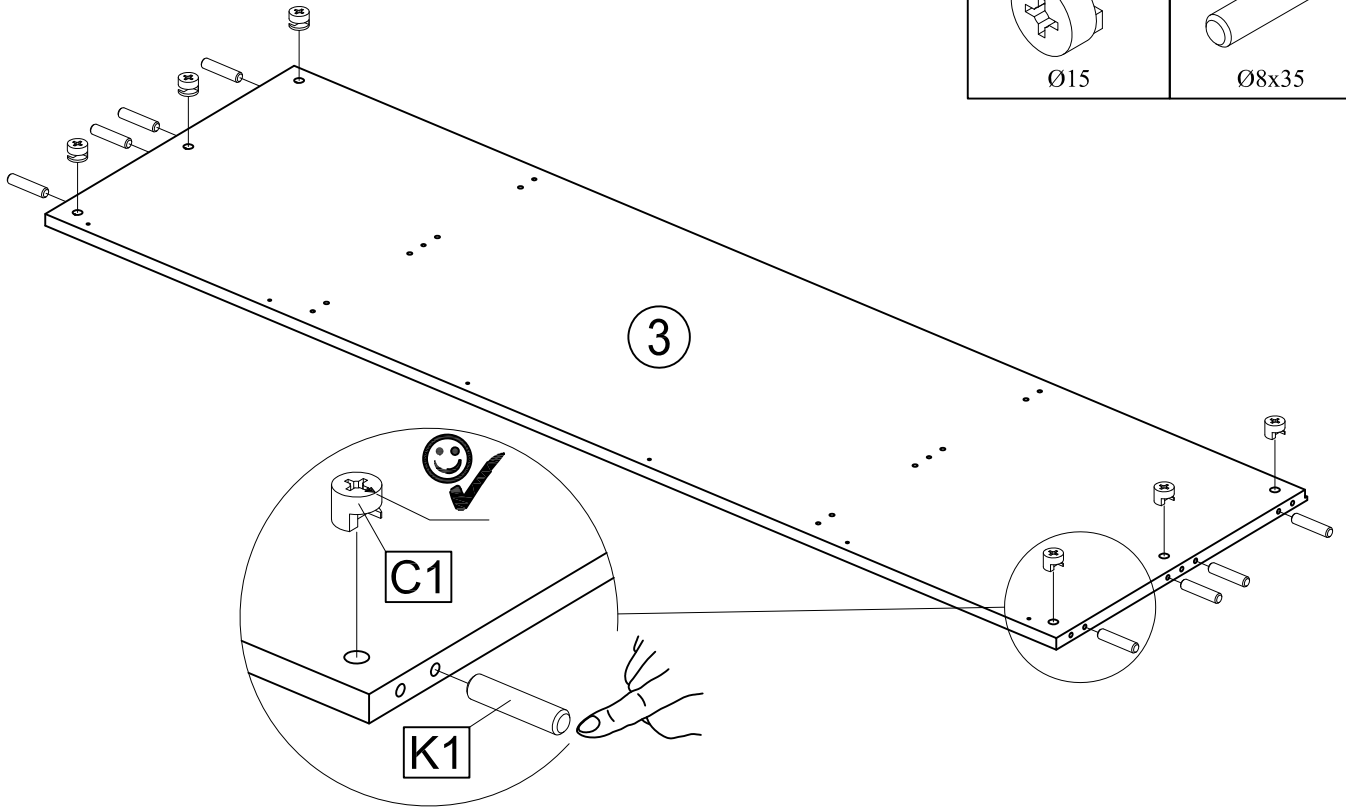


Ø15

K1 x8

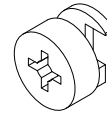


Ø8x35



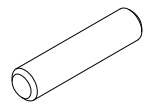
5

C1 x6

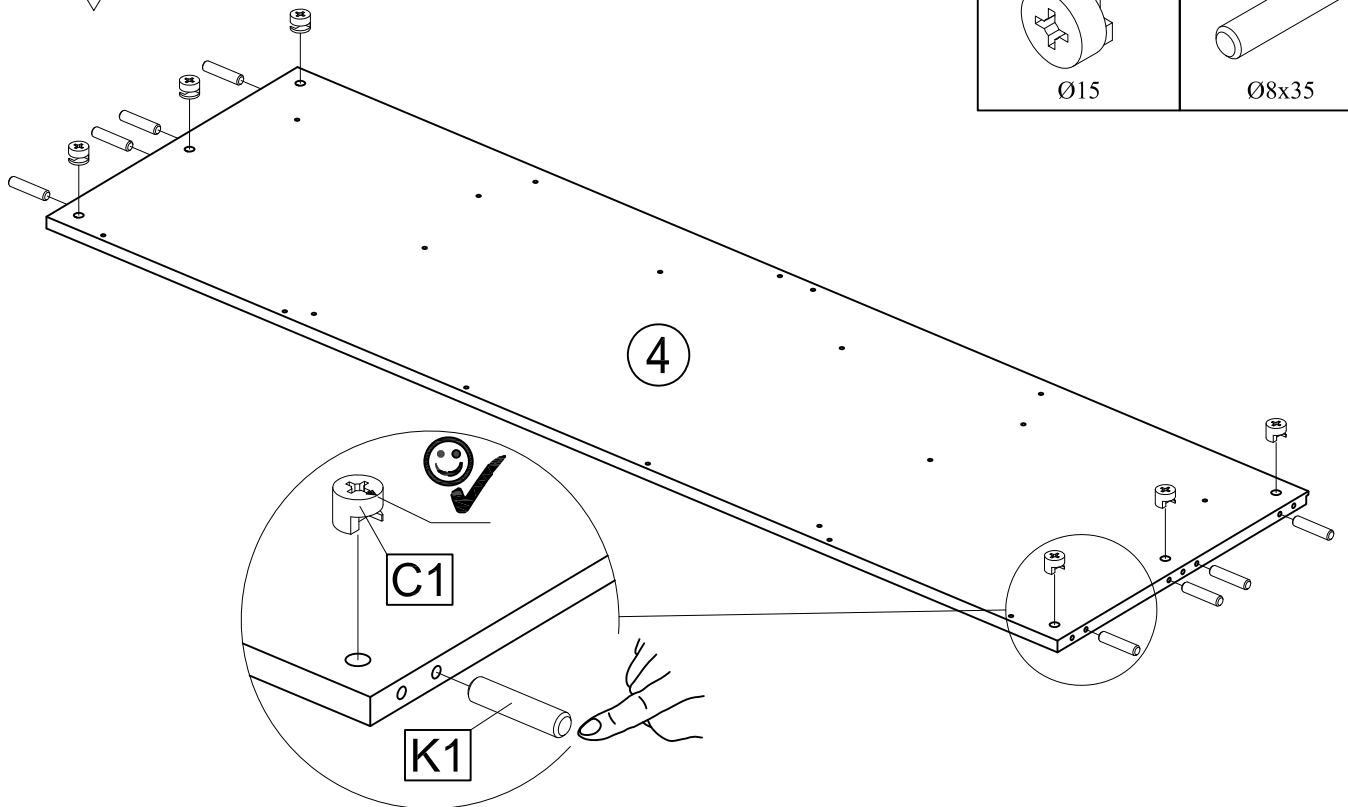


Ø15

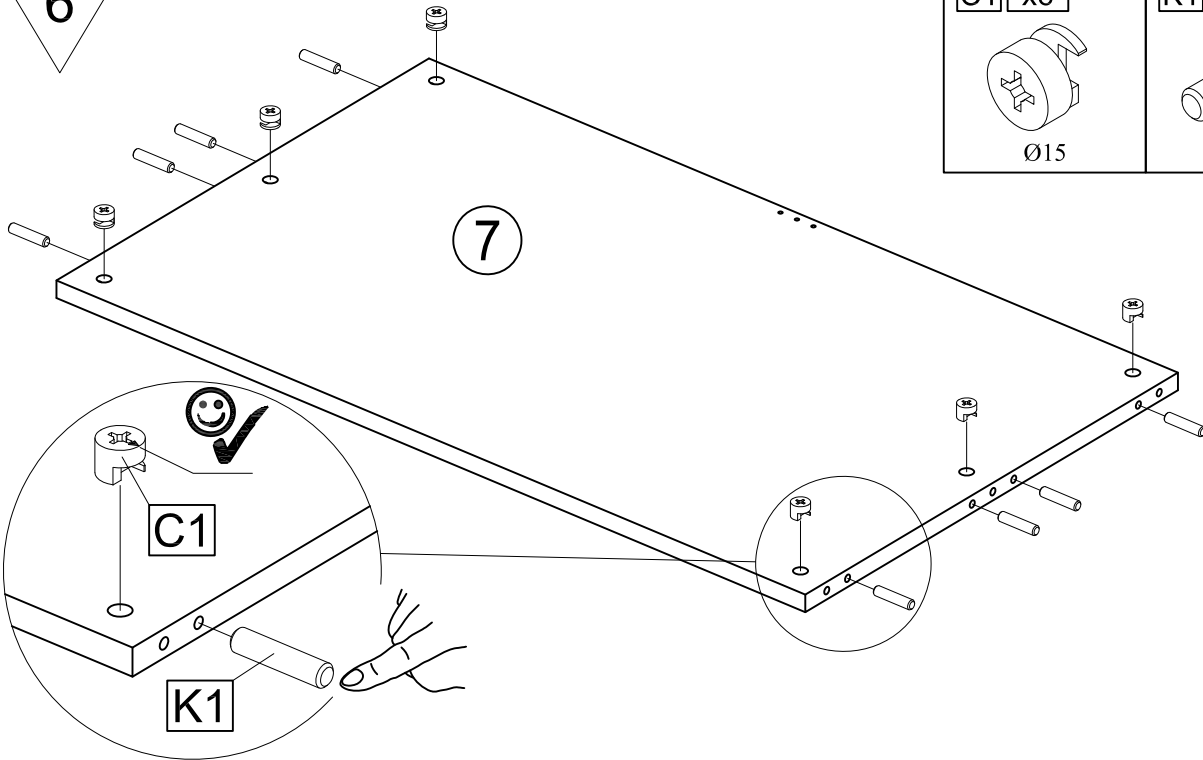
K1 x8



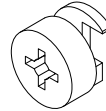
Ø8x35



6

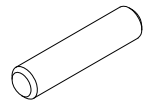


C1 x6



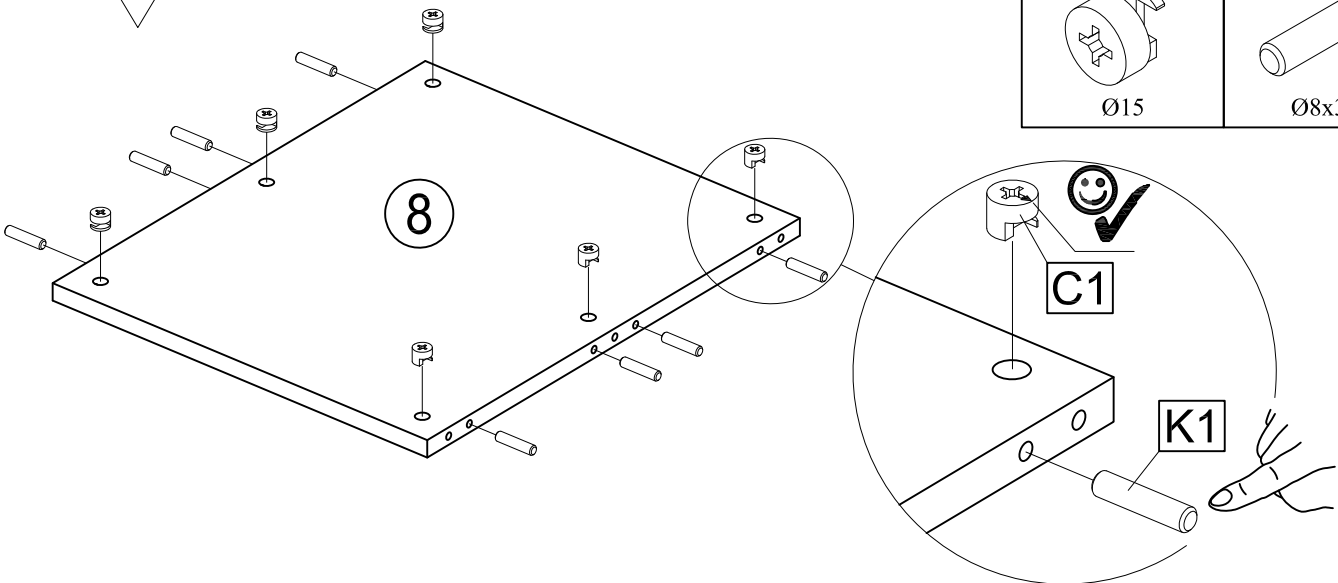
Ø15

K1 x8

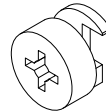


Ø8x35

7 x4

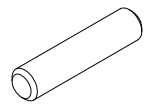


C1 x24



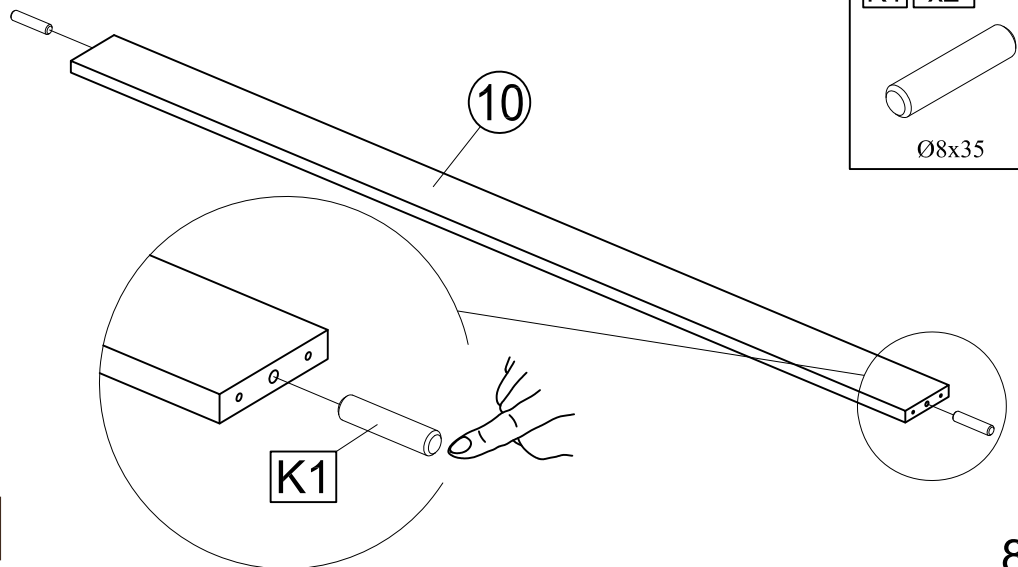
Ø15

K1 x32

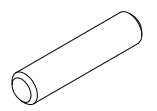


Ø8x35

8

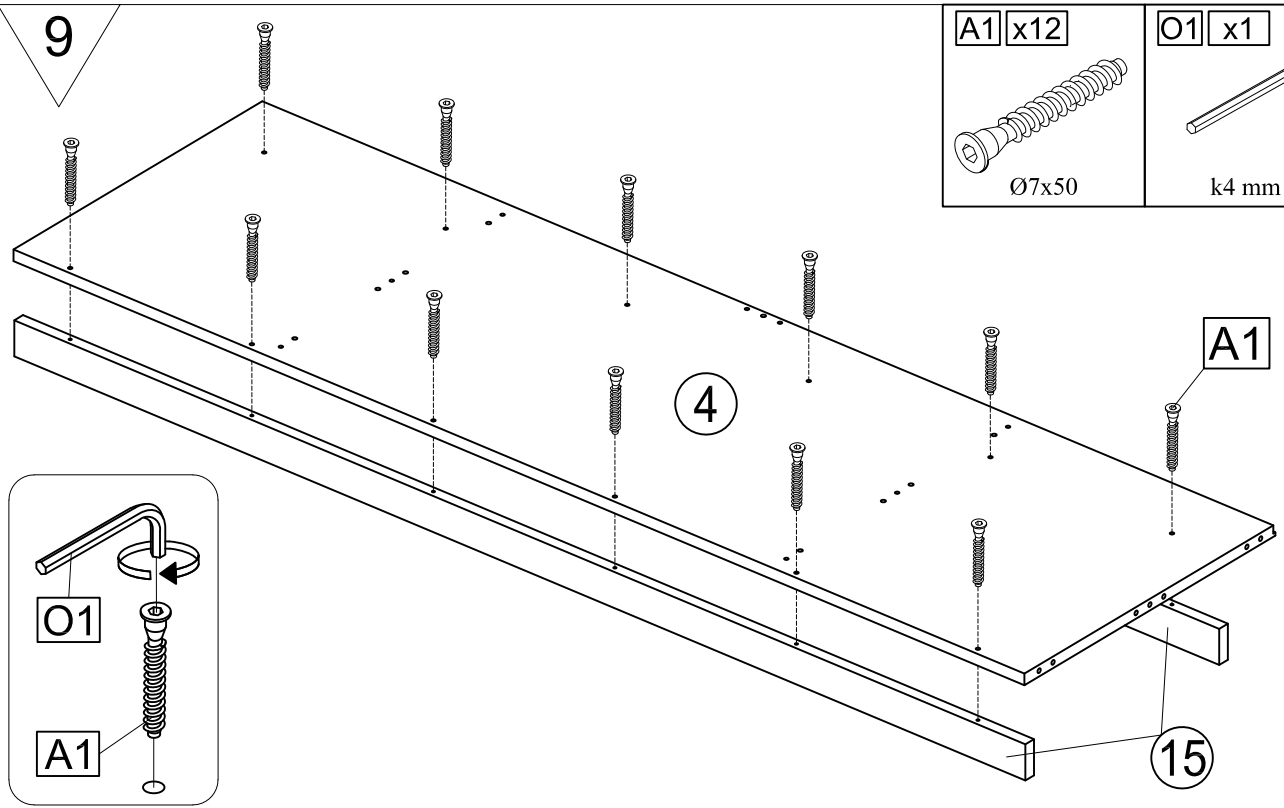


K1 x2

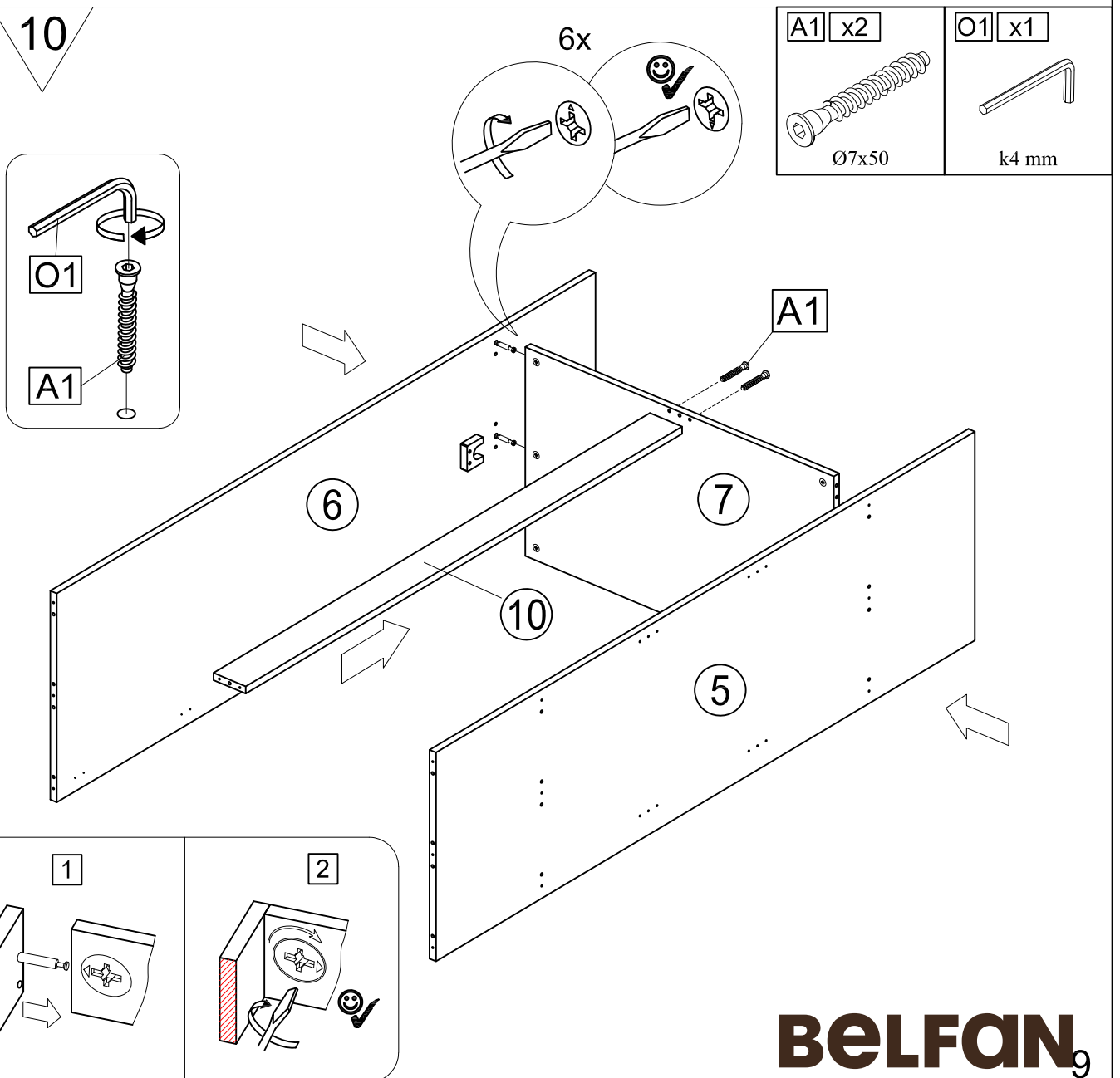


Ø8x35

9



10



1

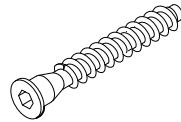
2

BELFAN₉

11

A1 x14

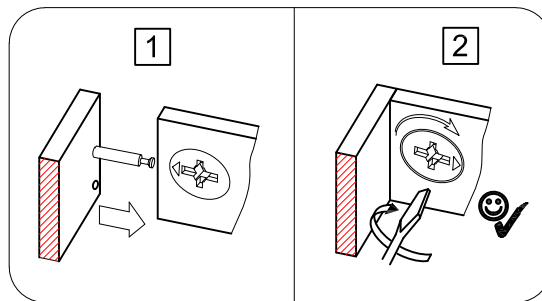
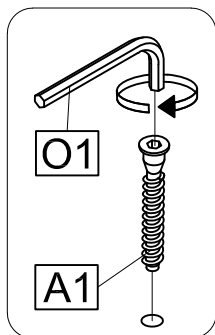
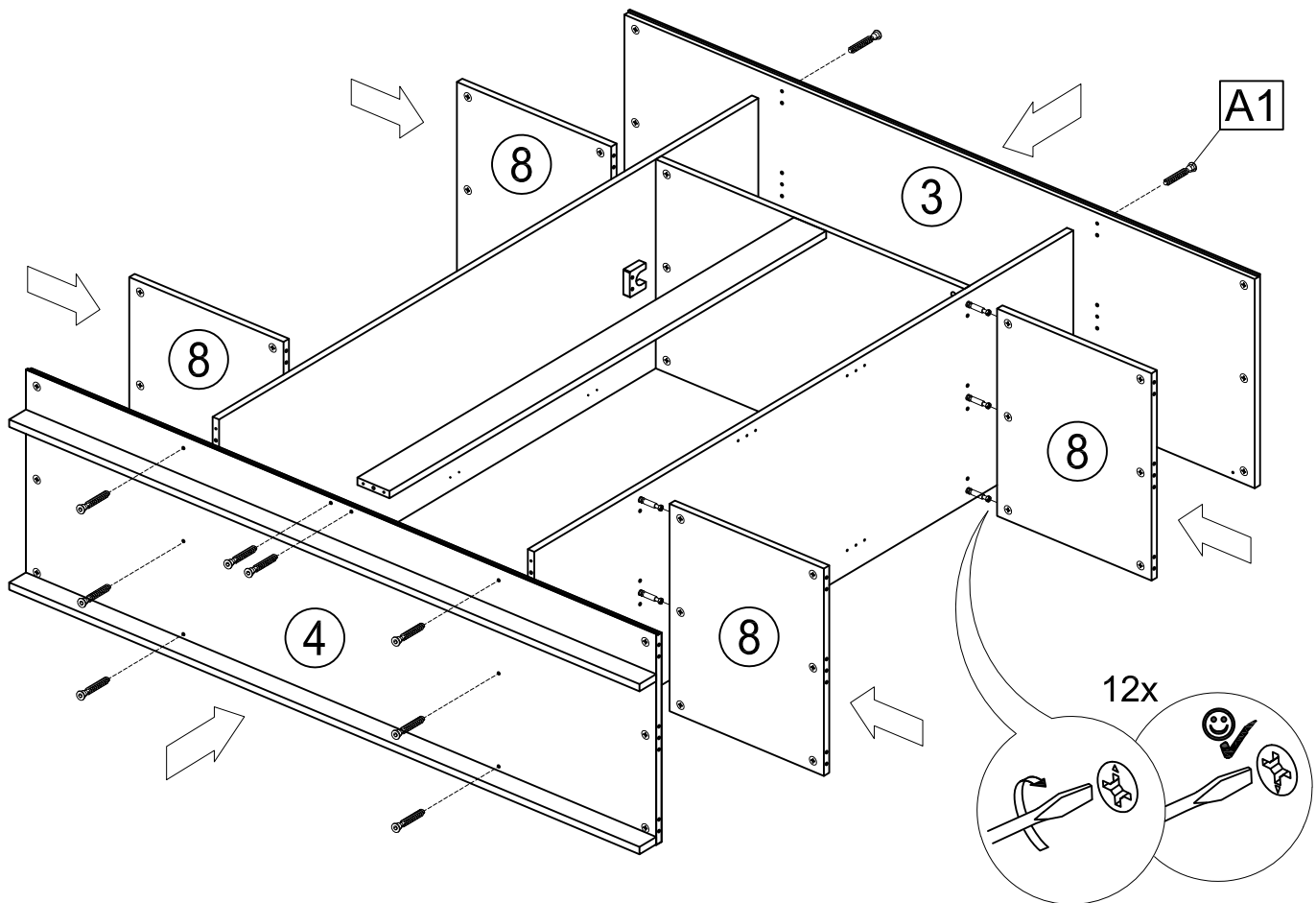
O1 x1



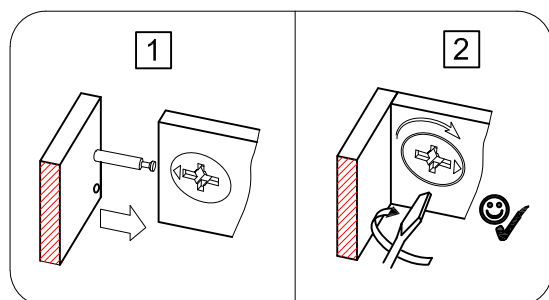
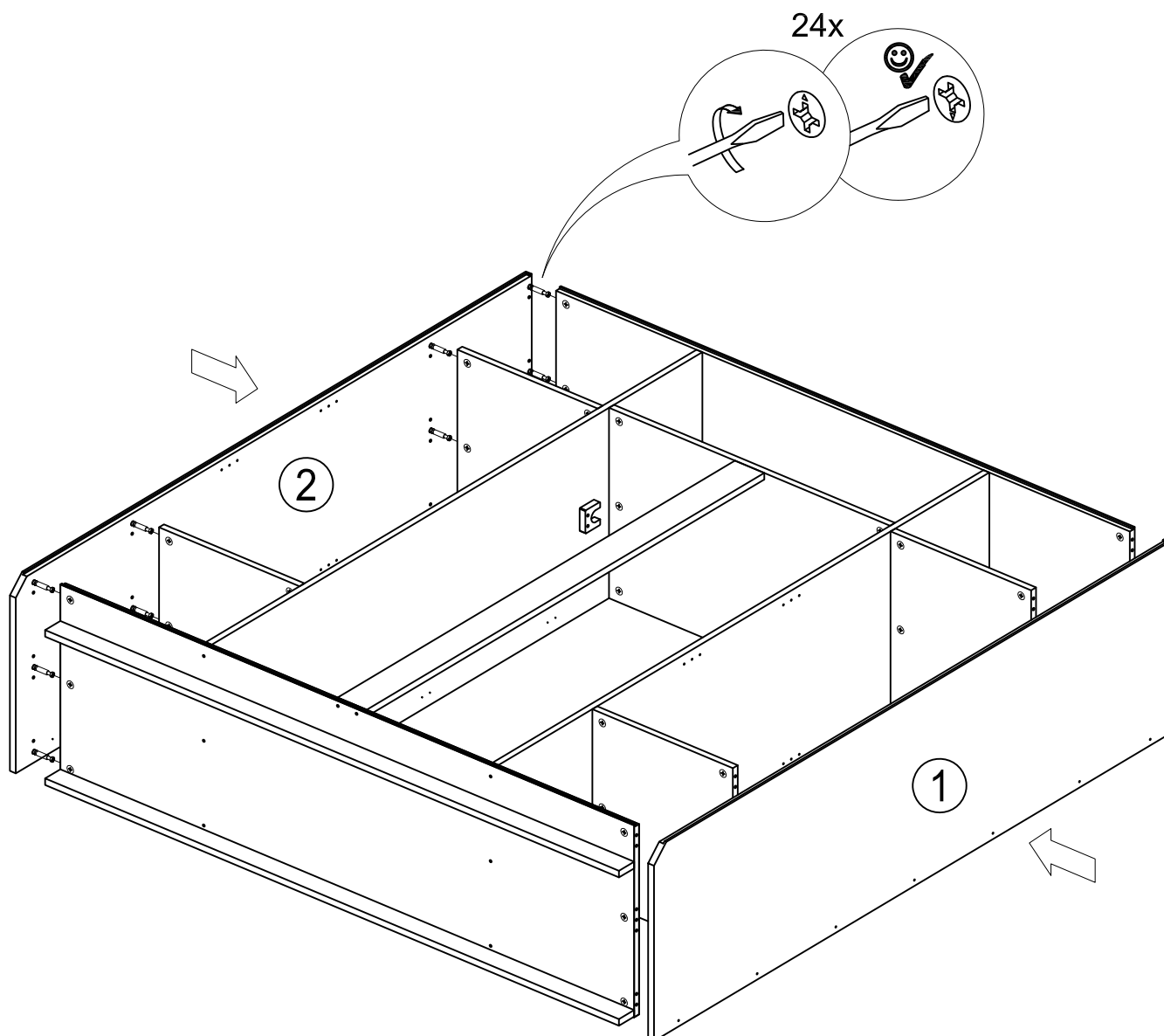
Ø7x50



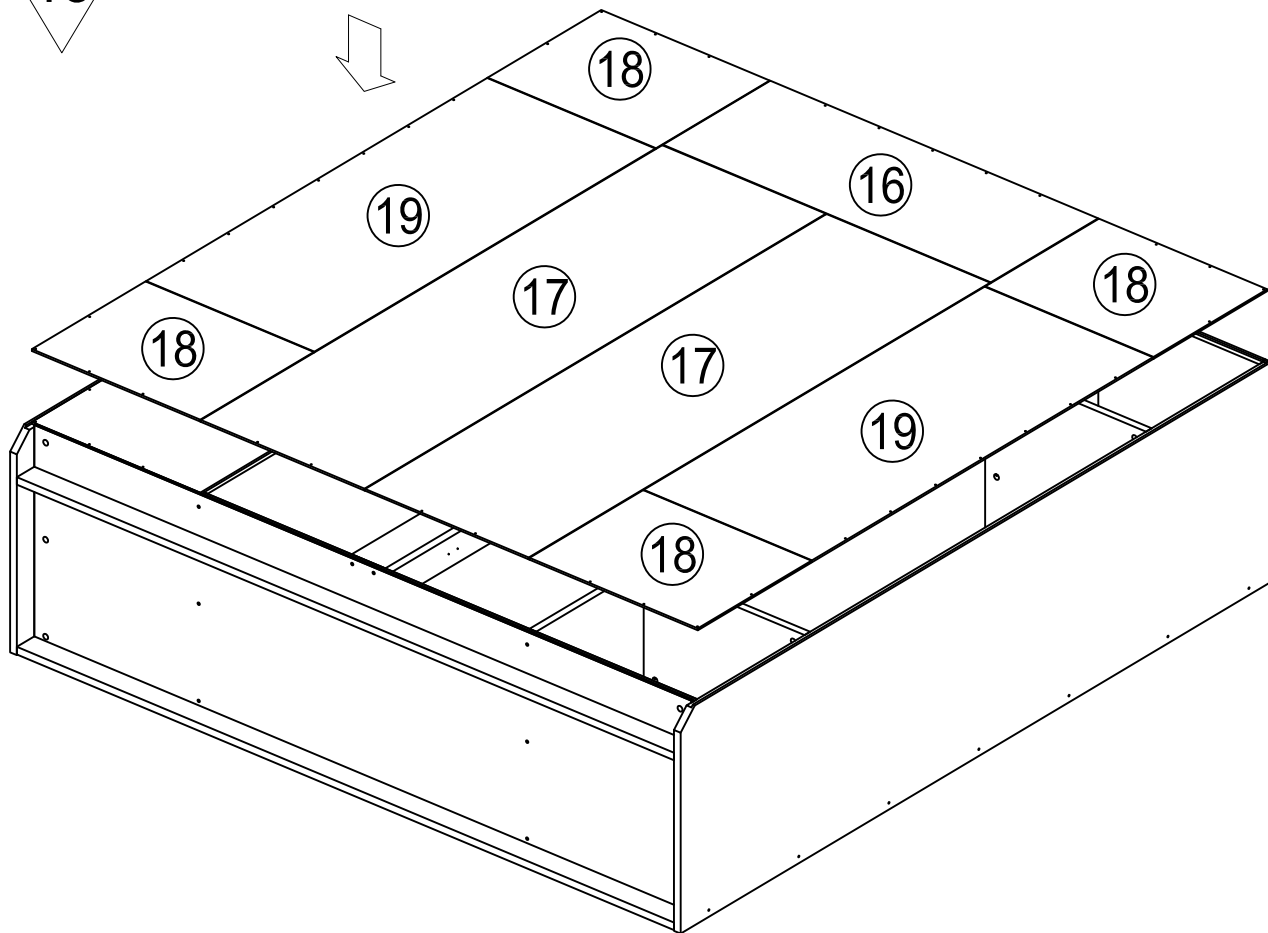
k4 mm



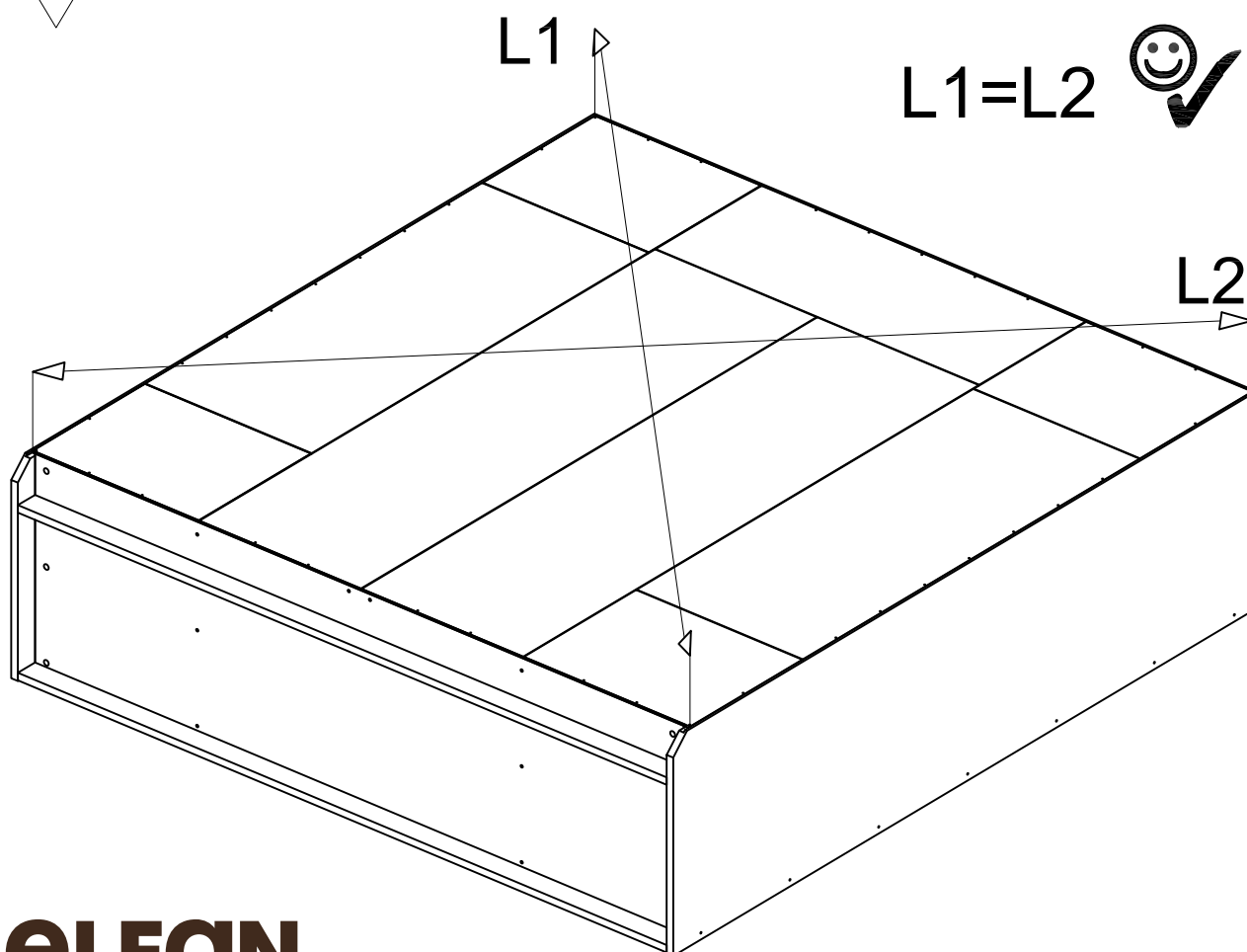
12



13



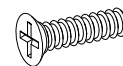
14



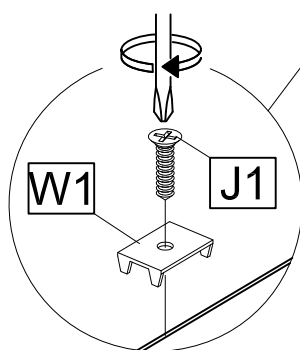
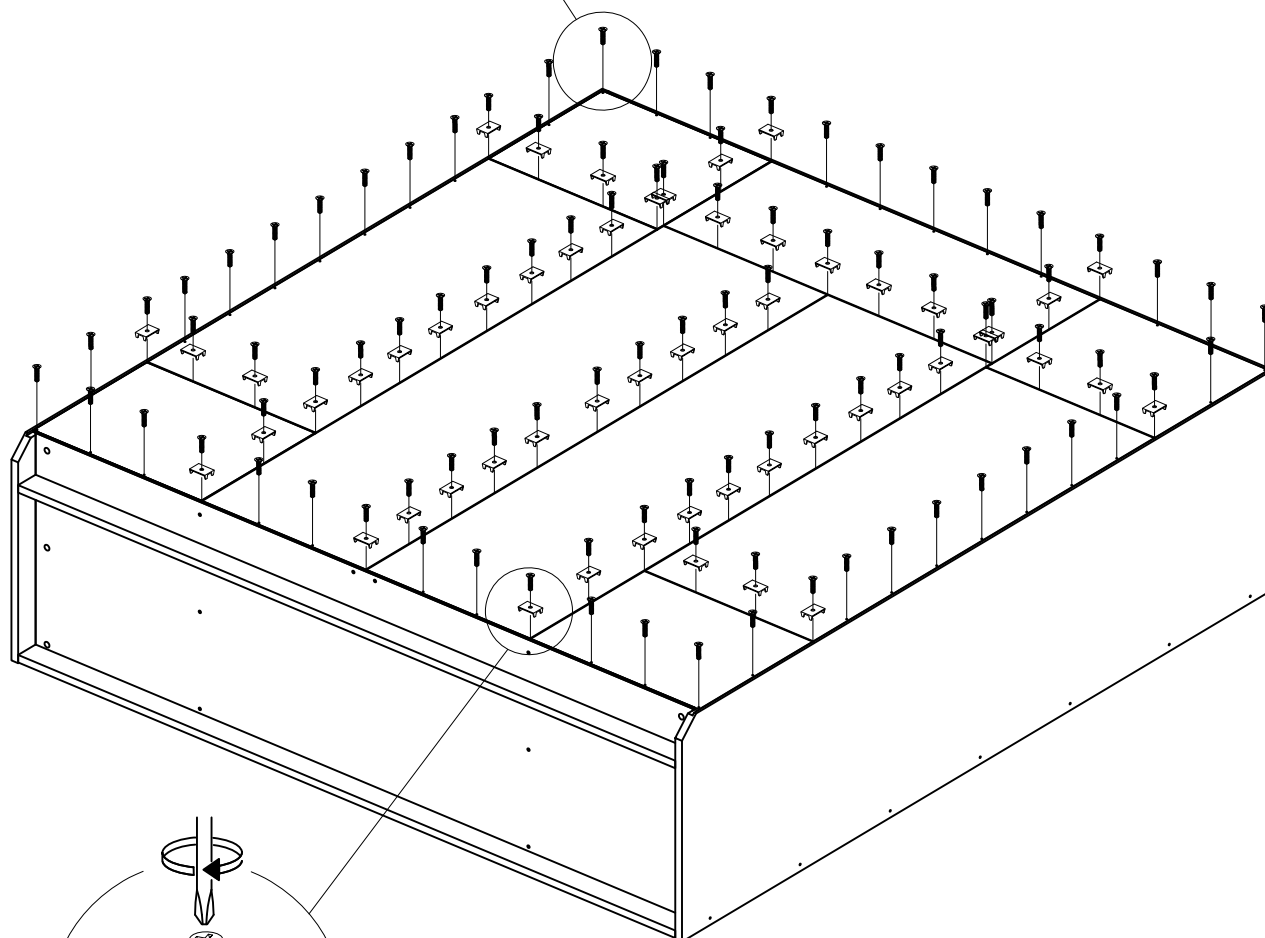
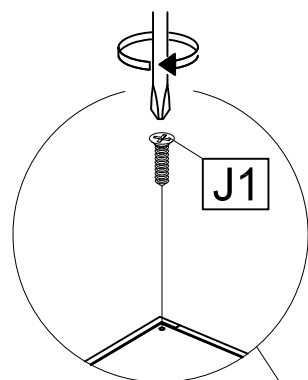
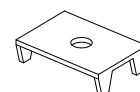
15

J1 x94

W1 x55

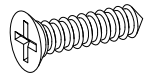


3.5x16

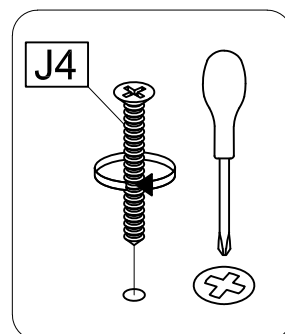
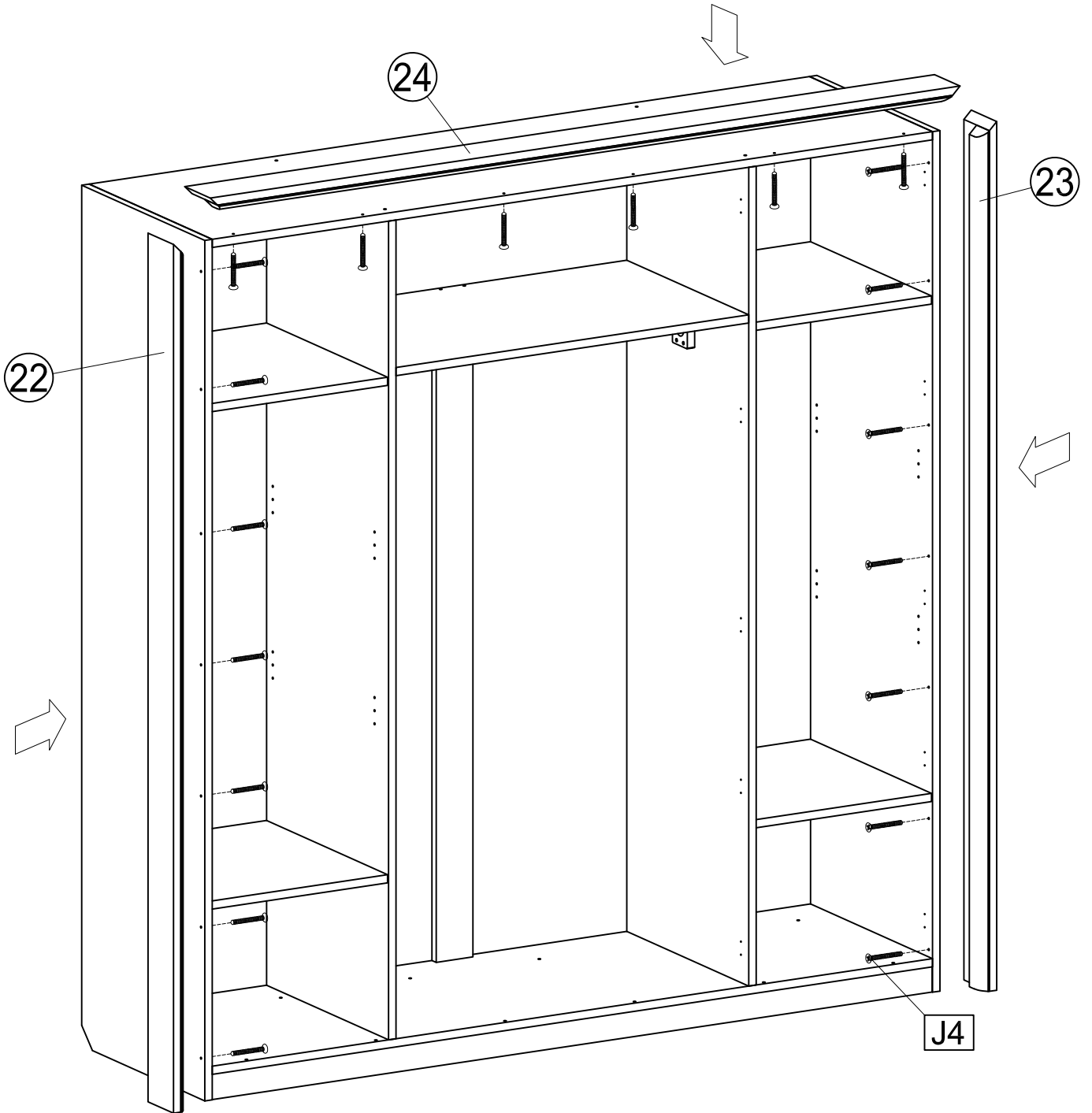


16

J4 x20



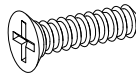
4x35



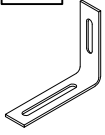
BELFAN

17

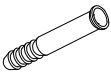
J2 x4
4x16



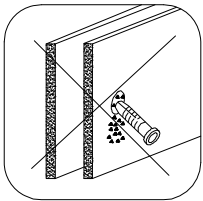
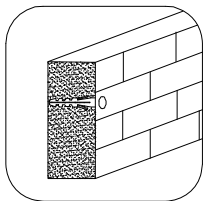
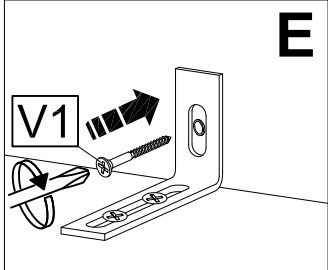
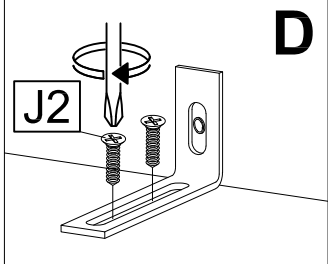
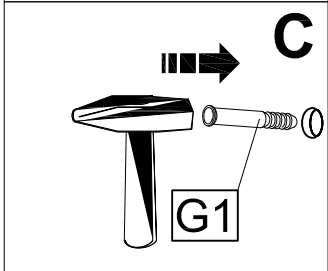
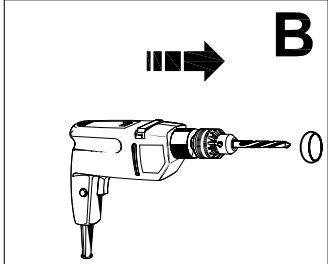
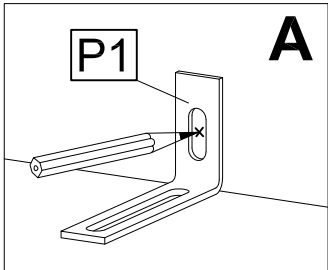
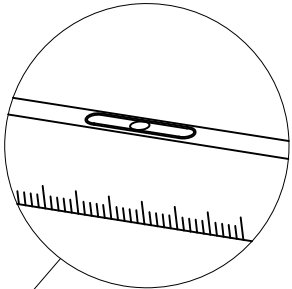
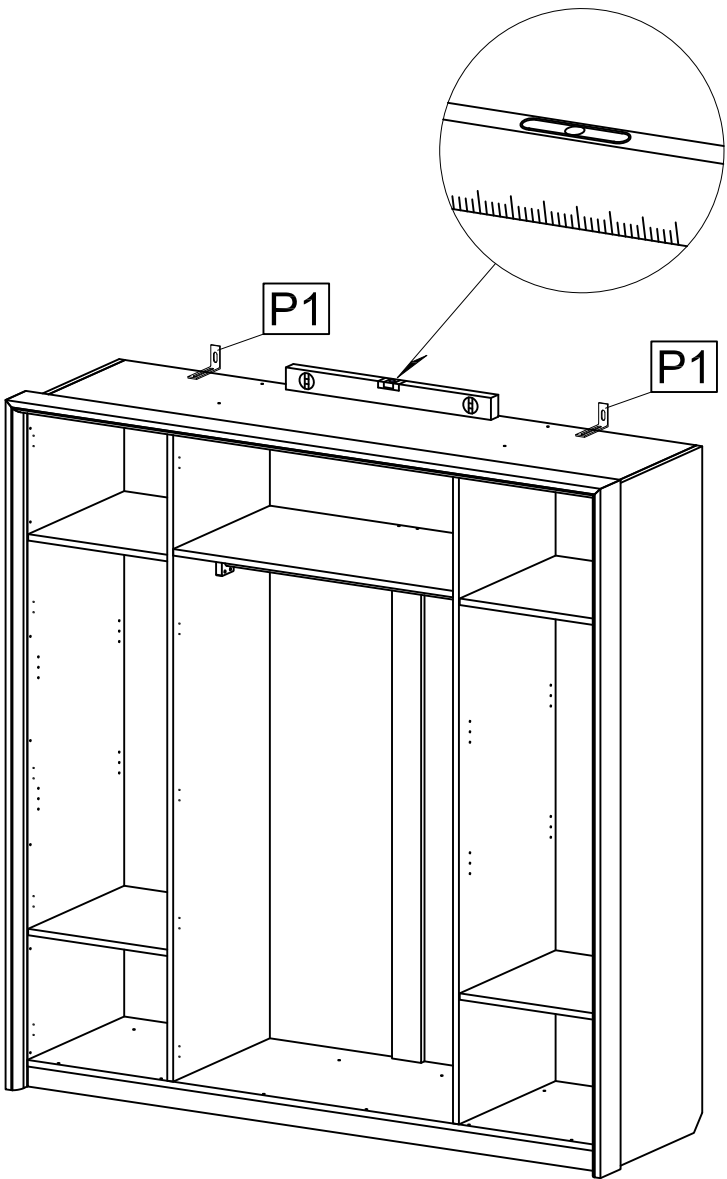

P1 x2



G1 x2

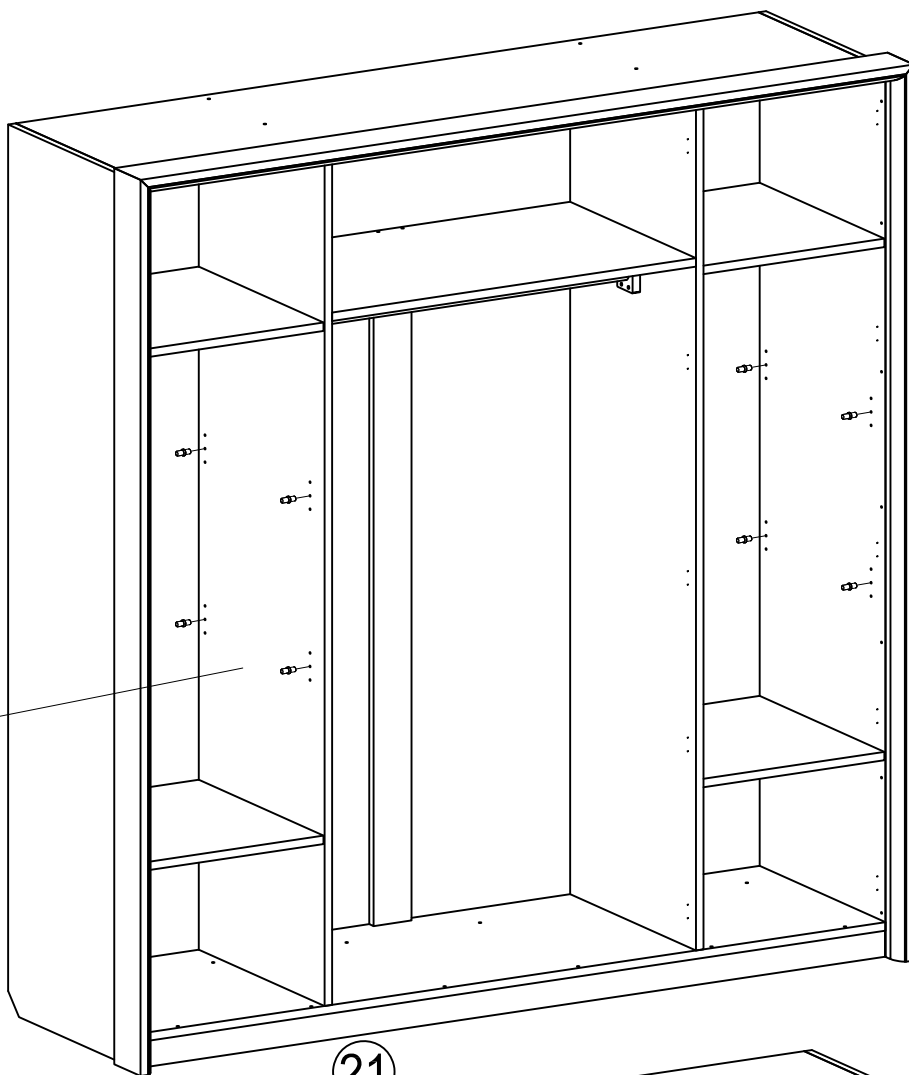
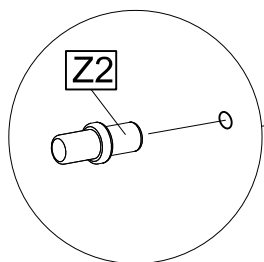
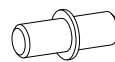


V1 x2

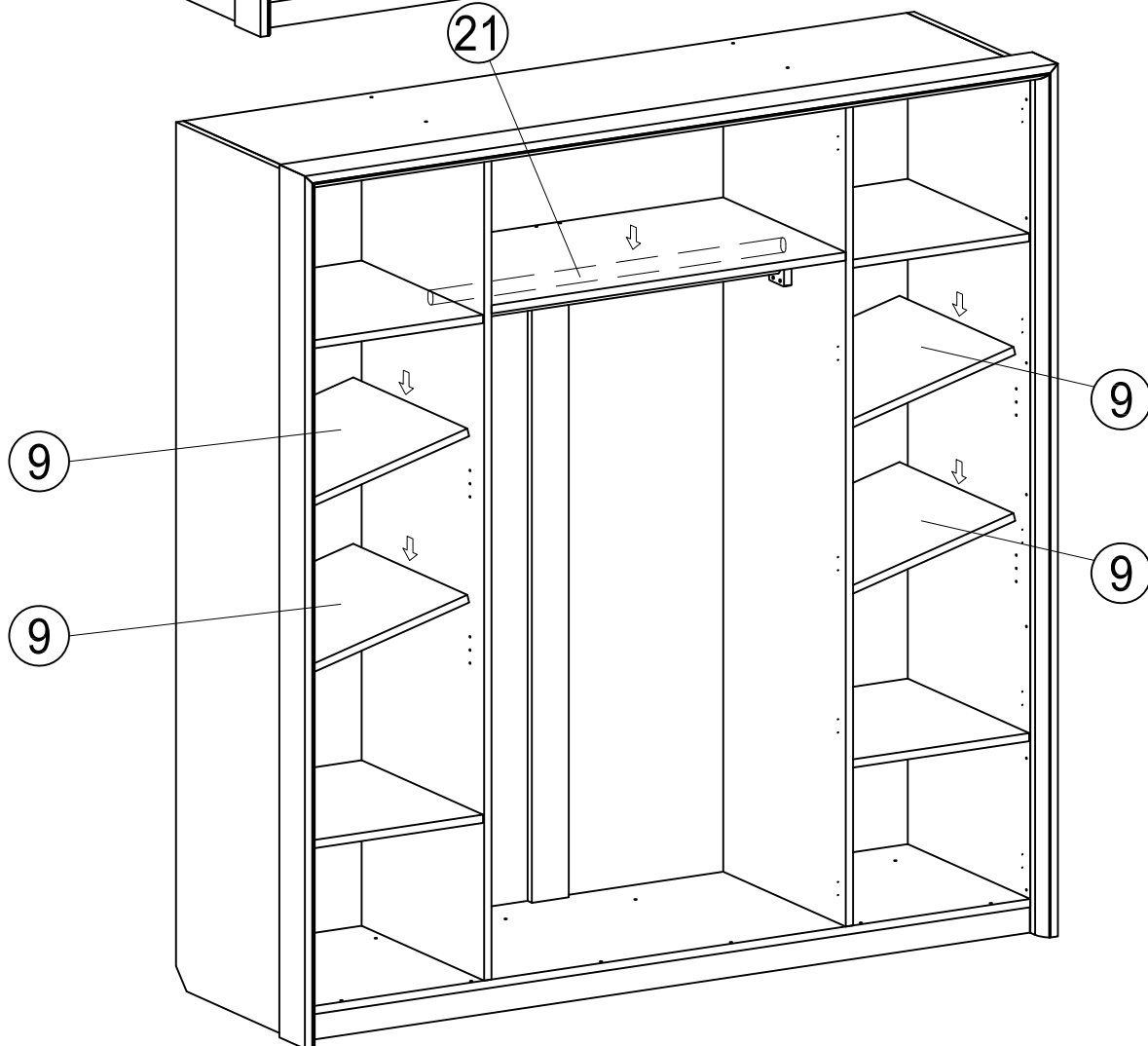


18

Z2 x16



21



9

9

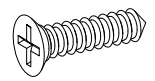
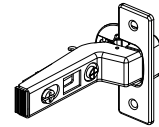
9

9

19

M2 x10

J2 x40



4x16

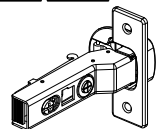
J2

M2

12

11

M3 x10



J2

M3

14

13

